

## PERFORMANCE DATA SHEET NEMA PREMIUM NR CAN NEMA 12 - 12

Catalogue #: MPP-41

| HP | kW    | Voltage | S.F. @ 60Hz | EFF.  | P.F. | Frame | Design | L.R. Amps |
|----|-------|---------|-------------|-------|------|-------|--------|-----------|
| 20 | 14,92 | 575     | 1,25        | 91,0% | 0,87 | 256T  | B      | 116       |

| 60 Hz |     |     |     |     |     |     |  | Code | F.L. RPM |
|-------|-----|-----|-----|-----|-----|-----|--|------|----------|
| FLA   |     |     |     |     |     |     |  |      |          |
| 208   | 230 | 416 | 460 | 480 | 575 | 600 |  | G    | 3540     |
| /     | /   | /   | /   | /   | 19  | /   |  |      |          |

| 50 Hz |     |     |             |            |              |      |          | Code | F.L. RPM |
|-------|-----|-----|-------------|------------|--------------|------|----------|------|----------|
| FLA   |     |     | S.F. @ 50Hz | Efficiency | Power Factor | Code | F.L. RPM |      |          |
| 190   | 380 | 415 |             |            |              |      |          | /    | /        |
| /     | /   | /   | /           | /          | /            | /    | /        |      |          |

| Wgt. Lbs | PH | Duty  | Insul. Class | Amb. | Elevation       | Temp. Rise° C |
|----------|----|-------|--------------|------|-----------------|---------------|
| 315      | 3  | Cont. | F            | 40°C | 1000M (3300 Ft) | 53            |

| % Efficiency |       | % Power Factor |      | Torque           |      | Winding Resist. Ω | Safe Cold Start (Secs) |
|--------------|-------|----------------|------|------------------|------|-------------------|------------------------|
| Full Load:   | 91,0% | Full Load:     | 0,87 | Full Load Ft/Lbs | 29,7 |                   |                        |
| 3/4 Load:    | 91,0% | 3/4 Load:      | 0,85 | Locked Rotor %   | 150  |                   |                        |
| 1/2 Load:    | 90,0% | 1/2 Load:      | 0,79 | Break Down %     | 250  |                   |                        |

| Rotor Inertia Wk2 Lb-Ft2 | Max Load Inertia Wk2 Lb-Ft2 | Shaft Material | Frame Material | DE Bracket Type | ODE Bracket Type | Enclosure | NEMA Rating | Lead Wire Size |
|--------------------------|-----------------------------|----------------|----------------|-----------------|------------------|-----------|-------------|----------------|
| 1,19                     | 31                          | Standard       | Cast Iron      | Standard        | Standard         | TEFC      | IP55        | 12AWG          |

| Ball Bearings |      | Grease          | Mount Type | Orientation | Paint | Sound Pressure @ 3FT | Sound Power |
|---------------|------|-----------------|------------|-------------|-------|----------------------|-------------|
| DE            | ODE  |                 |            |             |       |                      |             |
| 6309          | 6309 | Mobil PolyrexEm | Rigid      | Horizontal  | Green | 84                   | 94          |

| Inverter Duty.<br>Motor meets MG1 parts 31.4.4.2 | Constant Torque Range | Variable Torque Range | Constant HP RPM |
|--|-----------------------|-----------------------|-----------------|
|  |                       | 10:1                  | 20:1            |

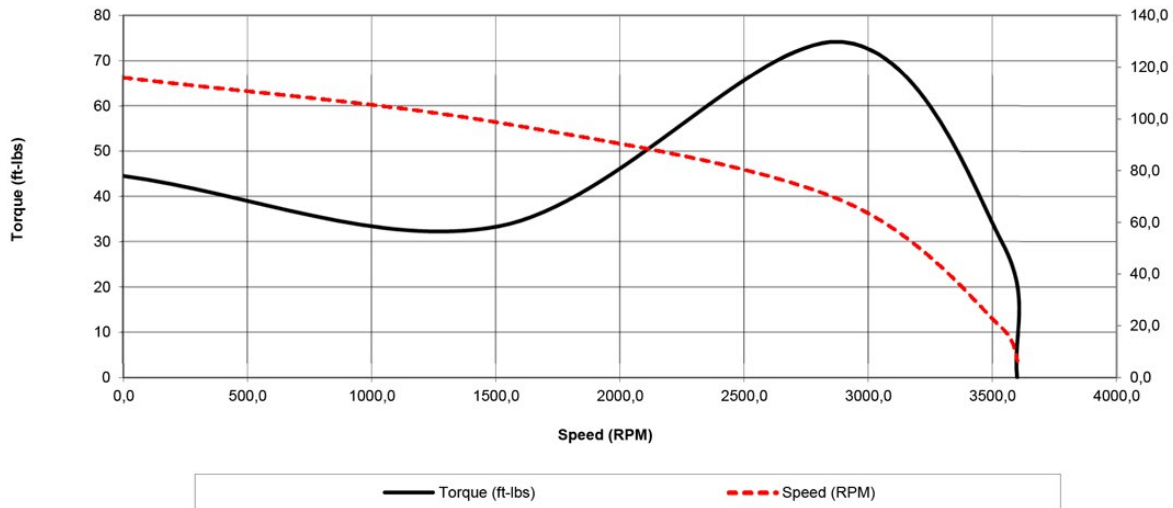


Date: 2020-02-27  
 Customer: \_\_\_\_\_  
 Contact: \_\_\_\_\_  
 Submittee: J.C. Lavallée

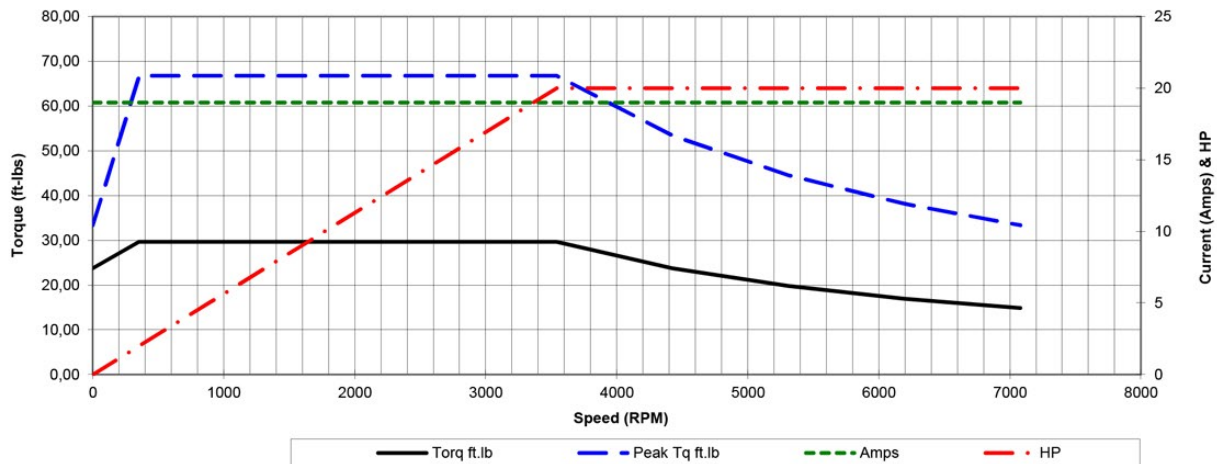
Catalogue #: **MPP-41**

| NEMA PREMIUM NR CAN NEMA 12 - 12 |              |         |           |            |           |                                      |       |                |                  |               |
|----------------------------------|--------------|---------|-----------|------------|-----------|--------------------------------------|-------|----------------|------------------|---------------|
| HP                               | VAC          | RPM     | Enclosure | Frame      | Frequency | Design                               | Poles | LR Code Letter | Insulation Class | Temp. Rise °C |
| 20                               | 575          | 3540    | TEFC      | 256T       | 60        | B                                    | 2     | G              | F                | 53            |
|                                  | 0Hz          | 6Hz     | 15Hz      | 30Hz       | 45Hz      | 60Hz                                 | 75Hz  | 90Hz           | 105Hz            | 120Hz         |
| Amps                             | 19           | 19      | 19        | 19         | 19        | 19                                   | 19    | 19             | 19               | 19            |
| RPM                              | 0            | 354     | 885       | 1770       | 2655      | 3540                                 | 4425  | 5310           | 6195             | 7080          |
| Torq ft.lb                       | 23,74        | 29,67   | 29,67     | 29,67      | 29,67     | 29,67                                | 23,74 | 19,78          | 16,96            | 14,84         |
| Peak Tq ft.lb                    | 33,38        | 66,76   | 66,76     | 66,76      | 66,76     | 66,76                                | 53,41 | 44,51          | 38,15            | 33,38         |
| HP                               | 0            | 2,0     | 5,0       | 10,0       | 15,0      | 20,0                                 | 20,0  | 20,0           | 20,0             | 20,0          |
|                                  | Locked Rotor | Pull-Up | Breakdown | Rated Load | Idle      | Duty                                 | S. F. | Ambient        | Elevation        | dBA @ 1M      |
| Speed (RPM)                      | 0,0          | 1512    | 2880      | 3540       | 3600      | Continuous                           | 1,25  | 40°C           | 3300 ft          | 84            |
| Current (Amps)                   | 116,0        | 98,6    | 69,0      | 19,0       | 6,5       | VFD Rating: Meets MG1 parts 31.4.4.2 |       |                |                  |               |
| Torque (ft-lbs)                  | 44,5         | 33,4    | 74,2      | 29,7       | 0,0       | C.T.                                 | 10:1  | V.T.           | 20:1             |               |

Motor Speed Data



Motor Torque Capability vs RPM

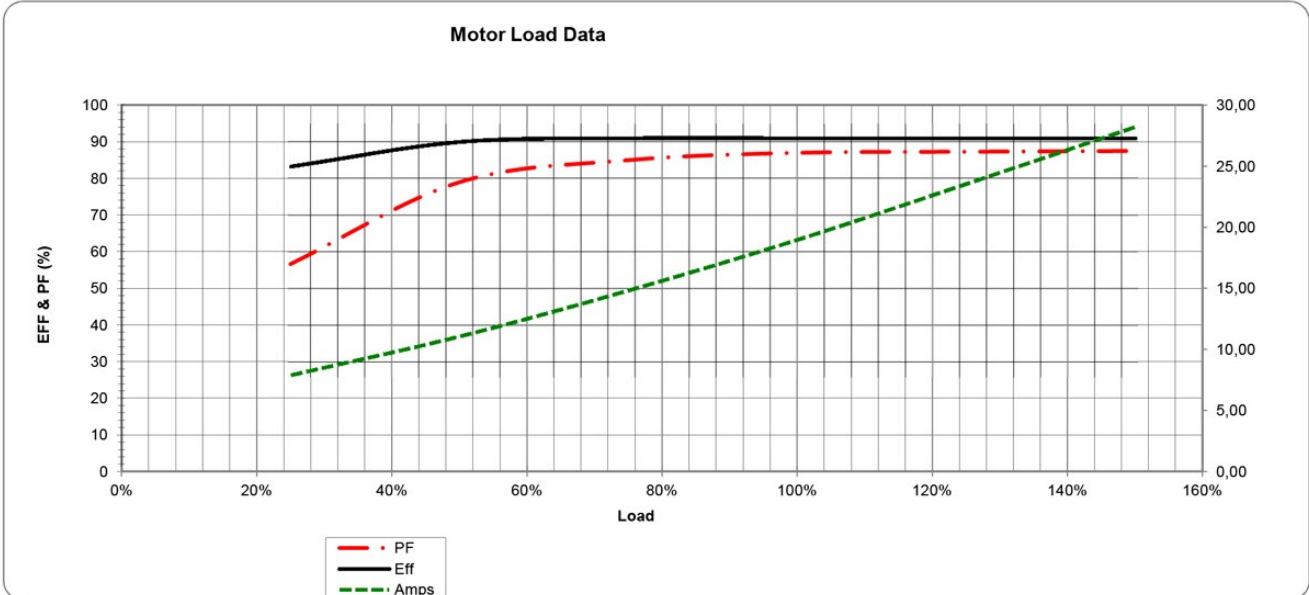
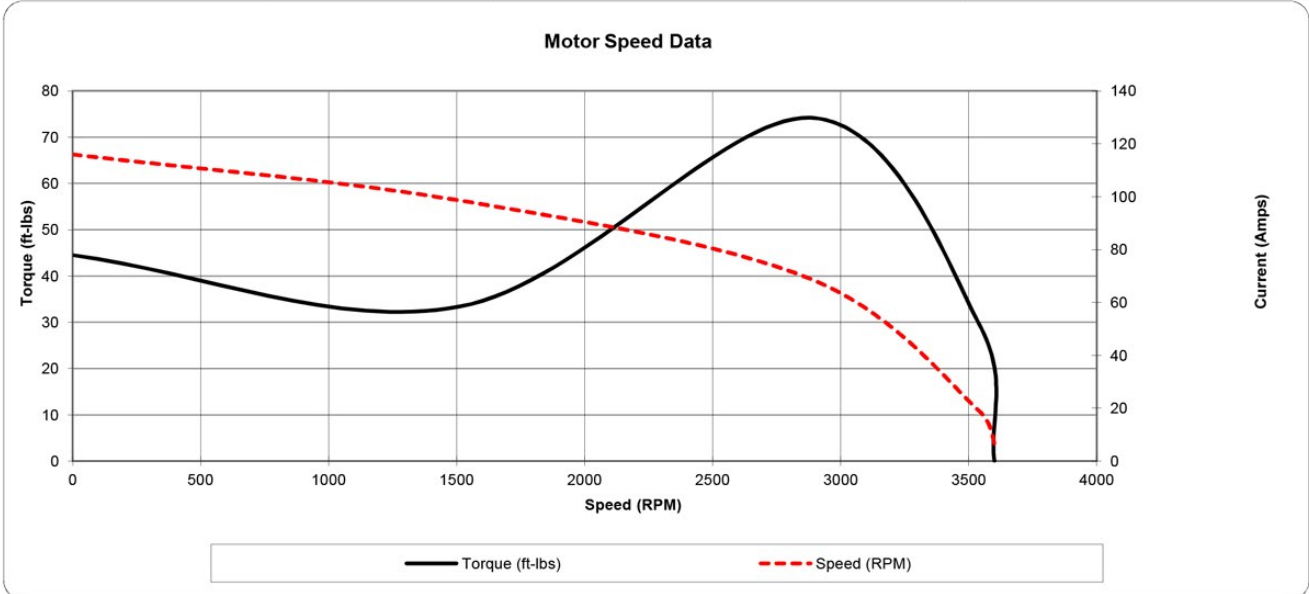


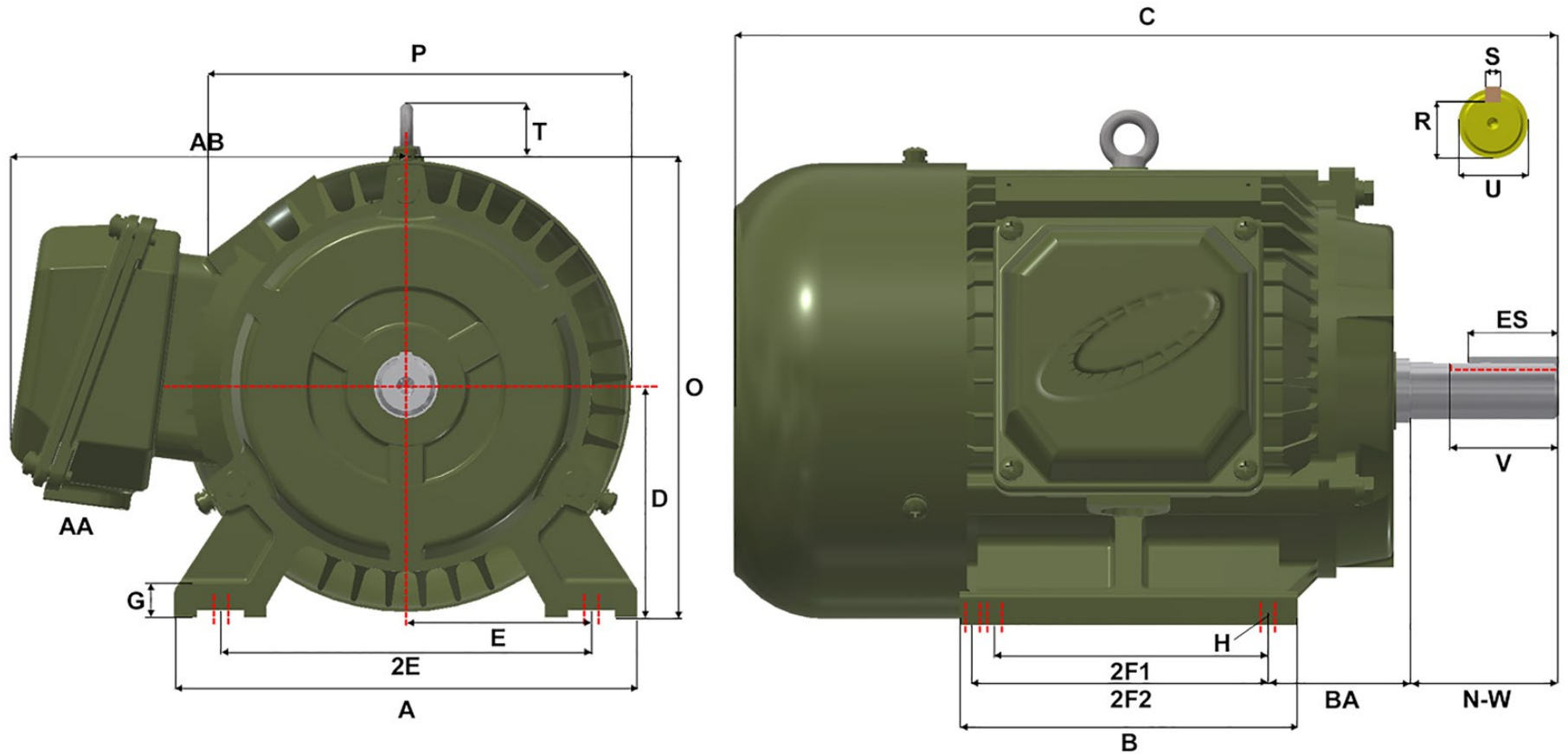


Date: 2020-02-27  
 Customer: \_\_\_\_\_  
 Contact: \_\_\_\_\_  
 Submittee: J.C. Lavallée

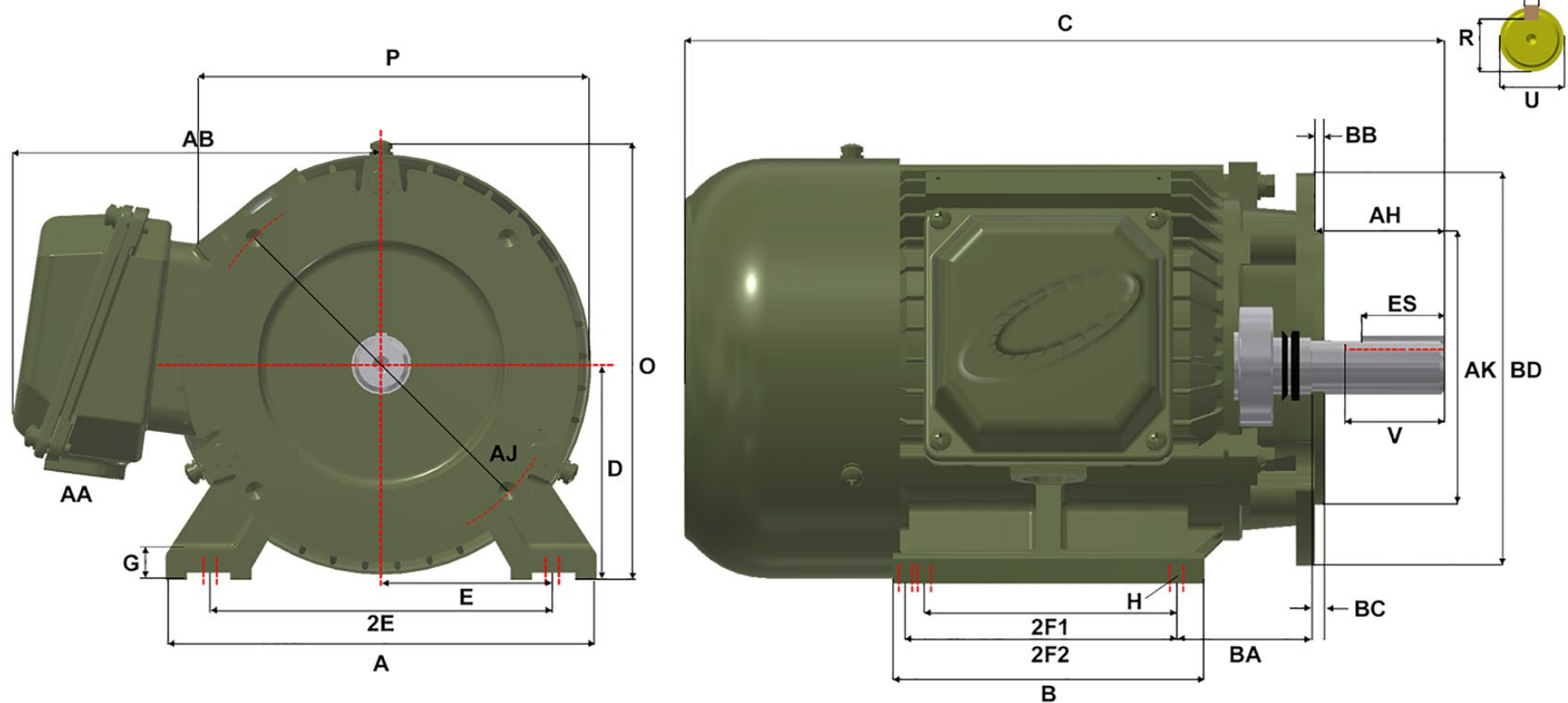
Catalogue #: MPP-41

| NEMA PREMIUM NR CAN NEMA 12 - 12 |                     |                |                  |                   |             |                                      |              |                |                  |                 |
|----------------------------------|---------------------|----------------|------------------|-------------------|-------------|--------------------------------------|--------------|----------------|------------------|-----------------|
| HP                               | VAC                 | RPM            | Enclosure        | Frame             | Frequency   | Design                               | Poles        | LR Code Letter | Insulation Class | Temp. Rise °C   |
| 20                               | 575                 | 3540           | TEFC             | 256T              | 60          | B                                    | 2            | G              | F                | 53              |
| <b>Load %</b>                    | <b>0%</b>           | <b>25%</b>     | <b>50%</b>       | <b>75%</b>        | <b>100%</b> | <b>125%</b>                          | <b>150%</b>  |                |                  |                 |
| <b>Amps</b>                      | 6,50                | 7,93           | 11,10            | 14,86             | 19,00       | 23,57                                | 28,22        |                |                  |                 |
| <b>Torq ft./lbs</b>              | 0                   | 7,38           | 14,75            | 22,35             | 29,95       | 37,69                                | 45,51        |                |                  |                 |
| <b>RPM</b>                       | 0                   | 3585           | 3570             | 3555              | 3540        | 3525                                 | 3510         |                |                  |                 |
| <b>Eff</b>                       | 0                   | 83,30          | 90,00            | 91,00             | 91,00       | 91,00                                | 91,00        |                |                  |                 |
| <b>PF</b>                        | 0                   | 56,7           | 79               | 85                | 87          | 87,3                                 | 87,5         |                |                  |                 |
|                                  | <b>Locked Rotor</b> | <b>Pull-Up</b> | <b>Breakdown</b> | <b>Rated Load</b> | <b>Idle</b> | <b>Duty</b>                          | <b>S. F.</b> | <b>Ambient</b> | <b>Elevation</b> | <b>dBA @ 1M</b> |
| <b>Speed (RPM)</b>               | 0                   | 1512           | 2880             | 3540              | 3600        | Continuous                           | 1,25         | 40°C           | 3300 ft          | 84              |
| <b>Current (Amps)</b>            | 116                 | 98,6           | 69,0             | 19                | 6,5         | VFD Rating: Meets MG1 parts 31.4.4.2 |              |                |                  |                 |
| <b>Torque (ft.-lbs)</b>          | 44,51               | 33,38          | 74,18            | 29,67             | 0,0         | C.T.                                 | 10:1         | V.T.           | 20:1             |                 |



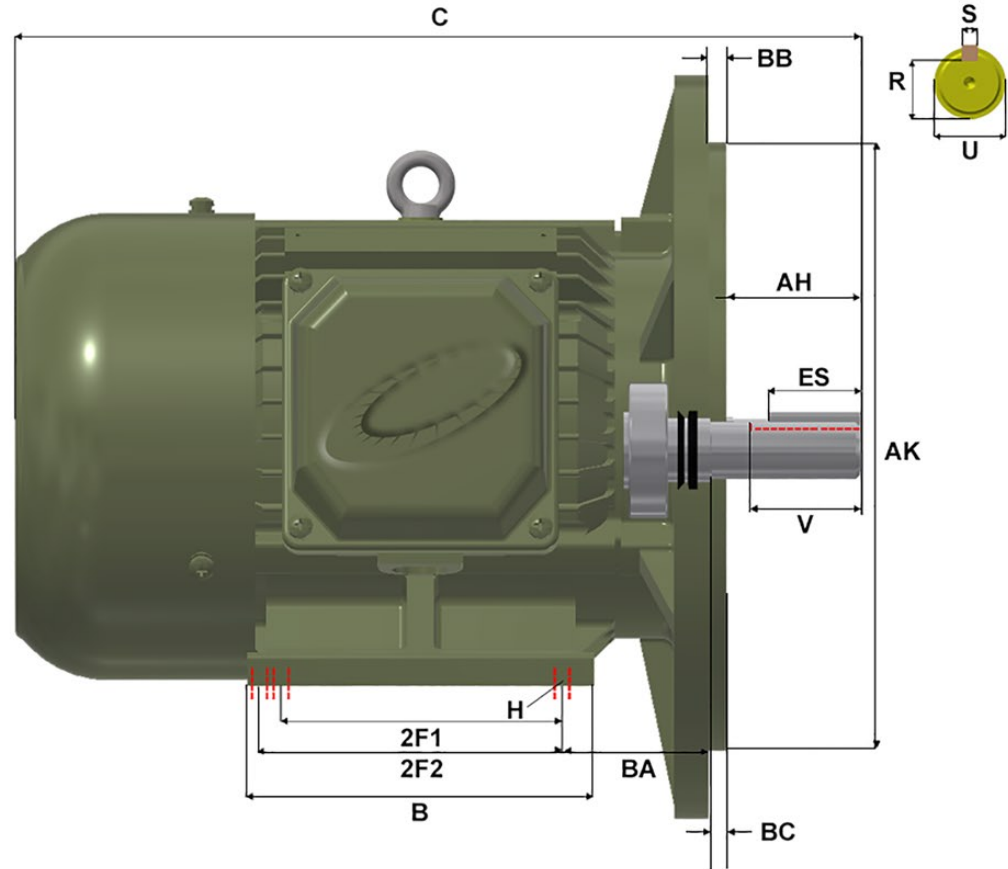
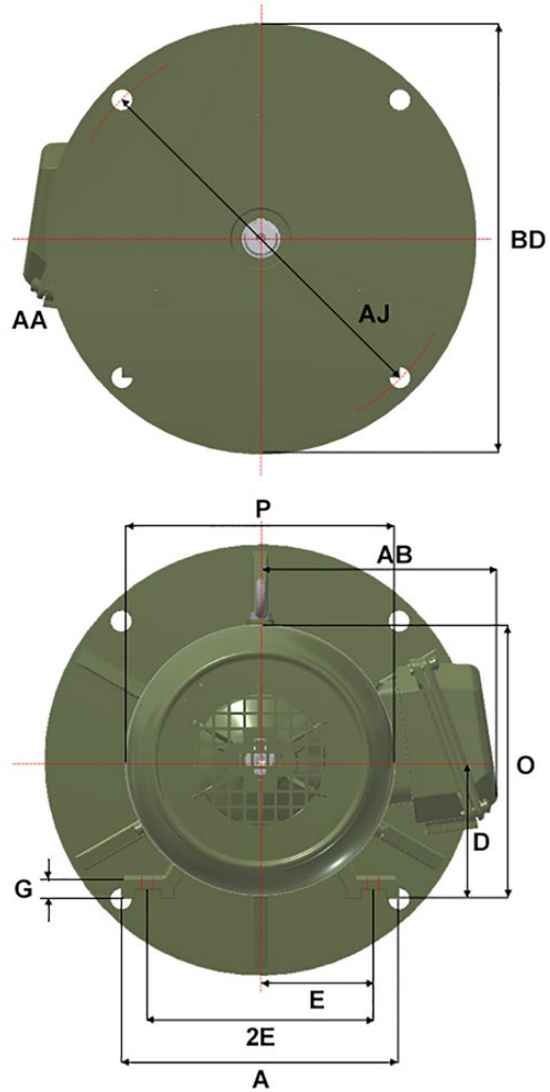


| Version: 2WTI  |       | Revised: 08-10-2019 |      | HP        | RPM   | FRAME | ENCLOSURE | MPP/MQP-41 |          |       |       |       |  |  |  |  |
|--|-------|---------------------|------|-----------|-------|-------|-----------|------------|----------|-------|-------|-------|--|--|--|--|
| Customer is responsible in determining that Max Motion product will fit/perform suitably in the intended application |       |                     |      |           |       |       |           | 20         | 3600     | 256T  | TEFC  |       |  |  |  |  |
| A  | B     | C                   | D    | E         | 2E    | 2F1   | 2F2       | G          | H        | O     | P     | R     |  |  |  |  |
| 13.00  | 12.20 | 25.00               | 6.25 | 5.00      | 10.00 | 8.25  | 10.00     | 0.70       | 6 X 0.53 | 13.00 | 12.40 | 1.416 |  |  |  |  |
| S  | T     | U                   | V    | AA        | AB    | BA    | ES        | N-W        |          |       |       |       |  |  |  |  |
| 0.375  | 2.20  | 1.625               | 3.75 | 1-1/4 NPT | 10.10 | 4.25  | 2.91      | 4.00       |          |       |       |       |  |  |  |  |



| Version: 2WTI   |       | Revised: 08-10-2019 |           | HP    | RPM   | FRAME | ENCLOSURE | MPP/MQP-41C |          |       |       |       |       |
|---|-------|---------------------|-----------|-------|-------|-------|-----------|-------------|----------|-------|-------|-------|-------|
| Customer is responsible in determining that MEP product will fit/perform suitably in the intended application |       |                     |           | 20    | 3600  | 256TC | TEFC      |             |          |       |       |       |       |
| A   | B     | C                   | D         | E     | 2E    | 2F1   | 2F2       | G           | H        | O     | P     | R     | S     |
| T   | U     | V                   | AA        | AB    | AH    | AJ    | AK        | BA          | BB       | BC    | BD    | ES    |       |
| 13.00   | 12.20 | 25.00               | 6.25      | 5.00  | 10.00 | 8.25  | 10.00     | 0.70        | 6 * 0.53 | 13.20 | 12.80 | 1.416 | 0.375 |
| 2.20  | 1.625 | 3.75                | 1-1/4 NPT | 10.30 | 3.75  | 7.25  | 8.50      | 4.75        | 0.25     | 0.25  | 10.00 | 2.91  |       |

# MaxMotion



| Version: 2WTI   |       | Revised: 08-10-2019 |           | HP    | RPM   | FRAME | ENCLOSURE | MPP/MQP-41D |          |       |       |       |       |
|---|-------|---------------------|-----------|-------|-------|-------|-----------|-------------|----------|-------|-------|-------|-------|
| Customer is responsible in determining that MEP product will fit/perform suitably in the intended application |       |                     |           | 20    | 3600  | 256TD | TEFC      |             |          |       |       |       |       |
| A   | B     | C                   | D         | E     | 2E    | 2F1   | 2F2       | G           | H        | O     | P     | R     | S     |
| 13.00   | 12.20 | 25.00               | 6.25      | 5.00  | 10.00 | 8.25  | 10.00     | 0.70        | 6 * 0.53 | 13.00 | 12.40 | 1.416 | 0.375 |
| T   | U     | V                   | AA        | AB    | AH    | AJ    | AK        | BA          | BB       | BC    | BD    | ES    |       |
| 2.20  | 1.625 | 3.75                | 1-1/4 NPT | 10.10 | 4.00  | 12.50 | 11.00     | 4.75        | 0.25     | 0.00  | 14.00 | 2.91  |       |



## PREMIUM DESIGN B NEMA 12-12

CAST IRON CONSTRUCTION RIGID BASE

TEFC TOTALLY ENCLOSED FAN COOLED

MaxMotion

### Applications:

General purpose use on conveyors, compressors, pumps, fans, blowers and other industrial and process machinery working in wet and dirty environments.

MaxMotion premium high efficiency motors offer even more return on your investment when used in high cycling and long running time applications.

### Features:



**Design** - NEMA standard MG-1, Design B meets MG-1 Part 31

**Agency listings and standard** - NEMA, IEEE, CSA, CSAus, IEC, CE, NRCan

**Service Factor** - 1.25 SF 1HP to 50HP, 1.15 SF 60 HP to 300HP

**Electrical Supply** - At 60Hz: 575V and 230/460V dual rated and at 50Hz: 190/380, Frame 445T+ are only 460V or 575V

**Windings** - Highest quality Enamel coated Corona resistant inverter duty magnet wire. VPI with additional dip and bake.

**Insulation** - Non hygroscopic class F with class B temperature rise

**Voltage and frequency variation** - +/- 10% as based on two voltage points of the motor being either 230 / 460 or 333 / 575

**Bearings** - 143T to 215T are double sealed and grease filled, 254T to 449T are regreasable with brass grease nipples and retaining bearing caps. Frame 404T to 449T are with roller bearings.

**Bearing lubricant** - Frame 143T to 215T is lithium grease, -30 Deg C to 110 Deg C amb. Frame 254T+ are long life mobil Polyrex EM, -29 Deg C to 177 Deg C.

**Enclosure Protection** - Totally Enclosed Fan Cooled meeting IEC standard IP55. Factory Certified Division 2 Class I Groups A, B, C, D Class II Groups F, G. Meets Temp Code T2B.

**Mounting** - F1 Standard Assembly, Reversible to F2 Assembly

**Conduit Box** - Oversize cast iron, diagonally split. Can be rotated in 90 Deg steps. Lead separator gasket to seal conduit box from frame and gasketed cover. Grounding terminal inside conduit box and threaded conduit entry.

**Inverter duty** - Suitable for inverter application at 230V, 460V, 575V for speed ranges of 10:1 constant torque and 20:1 variable torque.

**Nameplate** - Corrosion resistant stainless steel showing all data connection diagrams and certifications

**Drain plugs** - Located at the lowest point of motor at both ends.

**Warranty** - 3 years



# PREMIUM DESIGN B NEMA 12-12

CAST IRON CONSTRUCTION RIGID BASE

TEFC TOTALLY ENCLOSED FAN COOLED



| HP   | FL RPM | VOLTS    | FRAME   | CAT NO. | NOM EFF. | F.L. AMPS | CODE     | WT (Lbs) | DE BRG | ODE BRG | "C" Dimension (Inch) |
|------|--------|----------|---------|---------|----------|-----------|----------|----------|--------|---------|----------------------|
| 1    | 3515   | 230/460  | 143T    | MQP-1   | 77       | 3.5/1.75  | M        | 41       | 6205   | 6205    | 12,6                 |
|      | 3515   | 575      | 143T    | MPP-1   | 77       | 1.4       | M        | 41       | 6205   | 6205    | 12,6                 |
|      | 1745   | 230/460  | 143T    | MQP-2   | 85,5     | 3/1.5     | M        | 47       | 6205   | 6205    | 13,6                 |
|      | 1745   | 575      | 145T    | MPP-2   | 85,5     | 1.2       | M        | 47       | 6205   | 6205    | 13,6                 |
|      | 1160   | 230/460  | 145T    | MQP-3   | 82,5     | 3.6/1.8   | M        | 52       | 6205   | 6205    | 14,6                 |
|      | 1160   | 575      | 145T    | MPP-3   | 82,5     | 1.44      | M        | 52       | 6205   | 6205    | 14,6                 |
|      | 865    | 230/460  | 182T    | MQP-4   | 75,5     | 3.8/1.9   | M        | 64       | 6306   | 6306    | 16,1                 |
|      | 865    | 575      | 182T    | MPP-4   | 75,5     | 1.55      | M        | 64       | 6306   | 6306    | 16,1                 |
|      | 1 1/2  | 3520     | 230/460 | 143T    | MQP-6    | 84,1      | 4/2.2    | M        | 46     | 6205    | 6205                 |
| 3520 |        | 575      | 143T    | MPP-6   | 84,1     | 1.76      | M        | 46       | 6205   | 6205    | 13,6                 |
| 1750 |        | 230/460  | 145T    | MQP-7   | 86,5     | 4.4/2.2   | M        | 55       | 6025   | 6025    | 14,6                 |
| 1750 |        | 575      | 145T    | MPP-7   | 86,5     | 1.8       | M        | 55       | 6025   | 6025    | 14,6                 |
| 1175 |        | 230/460  | 182T    | MQP-8   | 87,5     | 4.8/2.4   | M        | 95       | 6306   | 6306    | 16,1                 |
| 1175 |        | 575      | 182T    | MPP-8   | 87,5     | 1.9       | M        | 95       | 6306   | 6306    | 16,1                 |
| 865  |        | 230/460  | 184T    | MQP-9   | 78,5     | 5.4/2.7   | M        | 64       | 6306   | 6306    | 17,1                 |
| 865  |        | 575      | 184T    | MPP-9   | 78,5     | 2.16      | M        | 64       | 6306   | 6306    | 17,1                 |
| 2    |        | 3510     | 230/460 | 145T    | MQP-11   | 85,5      | 5.3/2.65 | L        | 52     | 6205    | 6205                 |
|      | 3510   | 575      | 145T    | MPP-11  | 85,5     | 2.05      | L        | 52       | 6205   | 6205    | 14,6                 |
|      | 1745   | 230/460  | 145T    | MQP-12  | 86,5     | 6.2/3.1   | L        | 56       | 6205   | 6205    | 14,6                 |
|      | 1745   | 575      | 145T    | MPP-12  | 86,5     | 2.4       | L        | 56       | 6205   | 6205    | 14,6                 |
|      | 1180   | 230/460  | 184T    | MQP-13  | 88,5     | 5.9/2.95  | L        | 103      | 6306   | 6306    | 17,1                 |
|      | 1180   | 575      | 184T    | MPP-13  | 88,5     | 2.4       | L        | 103      | 6306   | 6306    | 17,1                 |
|      | 860    | 230/460  | 213T    | MQP-14  | 84       | 6.8/3.4   | L        | 150      | 6308   | 6308    | 18,9                 |
|      | 860    | 575      | 213T    | MPP-14  | 84       | 2.65      | L        | 150      | 6308   | 6308    | 18,9                 |
|      | 3      | 3485     | 230/460 | 145T    | MQP-16S  | 86,5      | 7.4/3.7  | K        | 90     | 6205    | 6205                 |
| 3485 |        | 575      | 145T    | MPP-16S | 86,5     | 3         | K        | 90       | 6308   | 6308    | 14,6                 |
| 3520 |        | 230/460  | 182T    | MQP-16  | 86,5     | 7.4/3.7   | K        | 97       | 6306   | 6306    | 16,1                 |
| 3520 |        | 575      | 182T    | MPP-16  | 86,5     | 3         | K        | 97       | 6306   | 6306    | 16,1                 |
| 1760 |        | 230/460  | 182T    | MQP-17  | 89,5     | 7.6/4     | K        | 97       | 6306   | 6306    | 16,1                 |
| 1760 |        | 575      | 182T    | MPP-17  | 89,5     | 3.2       | K        | 97       | 6306   | 6306    | 16,1                 |
| 1185 |        | 230/460  | 213T    | MQP-18  | 89,5     | 8.4/4.2   | K        | 136      | 6308   | 6308    | 18,9                 |
| 1185 |        | 575      | 213T    | MPP-18  | 89,5     | 3.4       | K        | 136      | 6308   | 6308    | 18,9                 |
| 860  |        | 230/460  | 215T    | MQP-19  | 85,5     | 9.2/4.6   | K        | 167      | 6308   | 6308    | 20,4                 |
| 860  | 575    | 215T     | MPP-19  | 85,5    | 3.68     | K         | 167      | 6308     | 6308   | 20,4    |                      |
| 5    | 3515   | 230/460  | 184T    | MQP-21  | 88,5     | 11.6/5.8  | J        | 110      | 6306   | 6306    | 17,1                 |
|      | 3515   | 575      | 184T    | MPP-21  | 88,5     | 4.6       | J        | 110      | 6306   | 6306    | 17,1                 |
|      | 1755   | 230/460  | 184T    | MQP-22  | 89,5     | 13.6/6    | J        | 112      | 6306   | 6306    | 17,1                 |
|      | 1755   | 575      | 184T    | MPP-22  | 89,5     | 5.4       | J        | 112      | 6306   | 6306    | 17,1                 |
|      | 1180   | 230/460  | 215T    | MQP-23  | 89,5     | 14.2/7.1  | J        | 162      | 6308   | 6308    | 20,4                 |
|      | 1180   | 575      | 215T    | MPP-23  | 89,5     | 5.68      | J        | 162      | 6308   | 6308    | 20,4                 |
|      | 870    | 230/460  | 254T    | MQP-24  | 86,5     | 16/8      | J        | 286      | 6309   | 6309    | 23,2                 |
|      | 870    | 575      | 254T    | MPP-24  | 86,5     | 6.5       | J        | 286      | 6309   | 6309    | 23,2                 |
|      | 7.5    | 3505     | 230/460 | 184T    | MQP-26S  | 86,5      | 17.6/8.8 | H        | 134    | 6306    | 6306                 |
| 3505 |        | 575      | 184T    | MPP-26S | 89,5     | 7         | H        | 134      | 6306   | 6306    | 17,1                 |
| 3530 |        | 230/460  | 213T    | MQP-26  | 89,5     | 17.6/8.8  | H        | 150      | 6308   | 6308    | 18,9                 |
| 3530 |        | 575      | 213T    | MPP-26  | 89,5     | 7         | H        | 150      | 6308   | 6308    | 18,9                 |
| 1770 |        | 230/460  | 213T    | MQP-27  | 91,7     | 18.4/9.2  | H        | 150      | 6308   | 6308    | 18,9                 |
| 1770 |        | 575      | 213T    | MPP-27  | 91,7     | 7.4       | H        | 150      | 6308   | 6308    | 18,9                 |
| 1185 |        | 230/460  | 254T    | MQP-28  | 91       | 20.8/10.4 | H        | 272      | 6309   | 6309    | 23,2                 |
| 1185 |        | 575      | 254T    | MPP-28  | 91       | 7.8       | H        | 272      | 6309   | 6309    | 23,2                 |
| 870  |        | 2230/460 | 256T    | MQP-29  | 86,5     | 24/11.5   | H        | 315      | 6309   | 6309    | 25                   |
| 870  | 575    | 256T     | MPP-29  | 86,5    | 9.6      | H         | 315      | 6309     | 6309   | 25      |                      |
| 10   | 3525   | 230/460  | 215T    | MQP-31  | 90,2     | 22.8/11.4 | H        | 167      | 6308   | 6308    | 20,4                 |
|      | 3525   | 575      | 215T    | MPP-31  | 90,2     | 9.1       | H        | 167      | 6308   | 6308    | 20,4                 |
|      | 1770   | 230/460  | 215T    | MQP-32  | 91,7     | 24/12     | H        | 167      | 6308   | 6308    | 20,4                 |
|      | 1770   | 575      | 215T    | MPP-32  | 91,7     | 9.6       | H        | 167      | 6308   | 6308    | 20,4                 |
|      | 1180   | 230/460  | 256T    | MQP-33  | 91       | 25.6/12.8 | H        | 293      | 6309   | 6309    | 25                   |
|      | 1180   | 575      | 256T    | MPP-33  | 91       | 10.2      | H        | 293      | 6309   | 6309    | 25                   |
|      | 885    | 230/460  | 284T    | MQP-34  | 89,5     | 31/15.5   | H        | 392      | 6311   | 6311    | 26,6                 |
|      | 885    | 575      | 284T    | MPP-34  | 89,5     | 12.5      | H        | 392      | 6311   | 6311    | 26,6                 |





# PREMIUM DESIGN B NEMA 12-12

CAST IRON CONSTRUCTION RIGID BASE

TEFC TOTALLY ENCLOSED FAN COOLED



| HP | FL RPM | VOLTS   | FRAME | CAT NO. | NOM EFF. | F.L. AMPS  | CODE | WT (Lbs) | DE BRG | ODE BRG | "C" Dimension (Inch) |
|----|--------|---------|-------|---------|----------|------------|------|----------|--------|---------|----------------------|
| 15 | 3545   | 230/460 | 215T  | MQP-36S | 91       | 34.4/17.2  | G    | 162      | 6309   | 6308    | 20,4                 |
|    | 3545   | 575     | 215T  | MPP-36S | 91       | 13.8       | G    | 162      | 6309   | 6308    | 20,4                 |
|    | 3545   | 230/460 | 254T  | MQP-36  | 91       | 34.4/17.2  | G    | 286      | 6309   | 6309    | 23,2                 |
|    | 3545   | 575     | 254T  | MPP-36  | 91       | 13.8       | G    | 286      | 6309   | 6309    | 23,2                 |
|    | 1770   | 230/460 | 254T  | MQP-37  | 92,4     | 36.4/18.2  | G    | 297      | 6309   | 6309    | 23,2                 |
|    | 1770   | 575     | 254T  | MPP-37  | 92,4     | 14.6       | G    | 297      | 6309   | 6309    | 23,2                 |
|    | 1180   | 230/460 | 284T  | MQP-38  | 91,7     | 38/19      | G    | 363      | 6311   | 6311    | 26,6                 |
|    | 1180   | 575     | 284T  | MPP-38  | 91,7     | 15.2       | G    | 363      | 6311   | 6311    | 26,6                 |
|    | 885    | 230/460 | 286T  | MQP-39  | 89,5     | 46/23      | G    | 394      | 6311   | 6311    | 28,1                 |
|    | 885    | 575     | 286T  | MPP-39  | 89,5     | 18.5       | G    | 394      | 6311   | 6311    | 28,1                 |
| 20 | 3540   | 230/460 | 256T  | MQP-41  | 91       | 46/23      | G    | 315      | 6309   | 6309    | 25                   |
|    | 3540   | 575     | 256T  | MPP-41  | 91       | 18.4       | G    | 315      | 6309   | 6309    | 25                   |
|    | 1760   | 230/460 | 256T  | MQP-42  | 93       | 48.4/24.2  | G    | 315      | 6309   | 6309    | 25                   |
|    | 1760   | 575     | 256T  | MPP-42  | 93       | 19.1       | G    | 315      | 6309   | 6309    | 25                   |
|    | 1185   | 230/460 | 284T  | MQP-43  | 91,7     | 50/25      | G    | 394      | 6311   | 6311    | 28,1                 |
|    | 1185   | 575     | 284T  | MPP-43  | 91,7     | 20         | G    | 394      | 6311   | 6311    | 28,1                 |
|    | 880    | 230/460 | 324T  | MQP-44  | 90,2     | 58/28      | G    | 444      | 6312   | 6312    | 29,8                 |
|    | 880    | 575     | 324T  | MPP-44  | 90,2     | 22.5       | G    | 444      | 6312   | 6312    | 29,8                 |
| 25 | 3540   | 230/460 | 284TS | MQP-46  | 91,7     | 57/28.5    | G    | 385      | 6311   | 6311    | 25,2                 |
|    | 3540   | 575     | 284TS | MPP-46  | 91,7     | 22.4       | G    | 385      | 6311   | 6311    | 25,2                 |
|    | 1775   | 230/460 | 284T  | MQP-47  | 93,6     | 60/30      | G    | 392      | 6311   | 6311    | 26,6                 |
|    | 1775   | 575     | 284T  | MPP-47  | 93,6     | 24         | G    | 392      | 6311   | 6311    | 26,6                 |
|    | 1185   | 230/460 | 324T  | MQP-48  | 93       | 61/30.5    | G    | 508      | 6312   | 6312    | 29,8                 |
|    | 1185   | 575     | 324T  | MPP-48  | 93       | 24.4       | G    | 508      | 6312   | 6312    | 29,8                 |
|    | 880    | 230/460 | 326T  | MQP-49  | 90,2     | 76/38      | G    | 469      | 6312   | 6312    | 31,3                 |
|    | 880    | 575     | 326T  | MPP-49  | 90,2     | 30.5       | G    | 469      | 6312   | 6312    | 31,3                 |
| 30 | 3530   | 230/460 | 286TS | MQP-51  | 91,7     | 69/34.5    | G    | 409      | 6311   | 6311    | 26,7                 |
|    | 3530   | 575     | 286TS | MPP-51  | 91,7     | 27.6       | G    | 409      | 6311   | 6311    | 26,7                 |
|    | 1775   | 230/460 | 286T  | MQP-52  | 93,6     | 70.6/35.3  | G    | 418      | 6311   | 6311    | 28,1                 |
|    | 1775   | 575     | 286T  | MPP-52  | 93,6     | 28.2       | G    | 418      | 6311   | 6311    | 28,1                 |
|    | 1185   | 230/460 | 326T  | MQP-53  | 93       | 71.8/35.9  | G    | 537      | 6312   | 6312    | 31,3                 |
|    | 1185   | 575     | 326T  | MPP-53  | 93       | 28.7       | G    | 537      | 6312   | 6312    | 31,3                 |
|    | 885    | 230/460 | 364T  | MQP-54  | 91,7     | 88/44      | G    | 607      | 6313   | 6313    | 32,5                 |
|    | 885    | 575     | 364T  | MPP-54  | 91,7     | 35         | G    | 607      | 6313   | 6313    | 32,5                 |
| 40 | 3545   | 230/460 | 324TS | MQP-56  | 92,4     | 91/45.5    | G    | 510      | 6312   | 6312    | 28,3                 |
|    | 3545   | 575     | 324TS | MPP-56  | 92,4     | 36.4       | G    | 510      | 6312   | 6312    | 28,3                 |
|    | 1780   | 230/460 | 324T  | MQP-57  | 94,1     | 93.2/46.6  | G    | 519      | 6312   | 6312    | 29,8                 |
|    | 1780   | 575     | 324T  | MPP-57  | 94,1     | 37.3       | G    | 519      | 6312   | 6312    | 29,8                 |
|    | 1188   | 230/460 | 364T  | MQP-58  | 94,1     | 100/50     | G    | 697      | 6313   | 6313    | 32,5                 |
|    | 1188   | 575     | 364T  | MPP-58  | 94,1     | 40         | G    | 697      | 6313   | 6313    | 32,5                 |
|    | 885    | 230/460 | 365T  | MQP-59  | 91,7     | 112/56     | G    | 902      | 6313   | 6313    | 33,5                 |
|    | 885    | 575     | 365T  | MPP-59  | 91,7     | 36         | G    | 902      | 6313   | 6313    | 33,5                 |
| 50 | 3545   | 230/460 | 324TS | MQP-61  | 93       | 116.2/58.1 | G    | 548      | 6312   | 6312    | 29,8                 |
|    | 3545   | 575     | 324TS | MPP-61  | 93       | 46.4       | G    | 548      | 6312   | 6312    | 29,8                 |
|    | 1780   | 230/460 | 326T  | MQP-62  | 93       | 116.2/58.1 | G    | 594      | 6312   | 6312    | 31,3                 |
|    | 1780   | 575     | 326T  | MPP-62  | 94,5     | 46.6       | G    | 594      | 6312   | 6312    | 31,3                 |
|    | 1187   | 230/460 | 364T  | MQP-63  | 94,1     | 126/63     | G    | 752      | 6313   | 6313    | 33,5                 |
|    | 1187   | 575     | 364T  | MPP-63  | 94,1     | 50         | G    | 752      | 6313   | 6313    | 33,5                 |
|    | 885    | 230/460 | 404T  | MQP-64  | 92,4     | 133/66.5   | G    | 902      | NU318  | 6314    | 33,5                 |
|    | 885    | 575     | 404T  | MPP-64  | 92,4     | 53.2       | G    | 902      | NU318  | 6314    | 33,5                 |
| 60 | 3565   | 230/460 | 364TS | MQP-66  | 93,6     | 132/66     | G    | 704      | 6313   | 6313    | 31,4                 |
|    | 3565   | 575     | 364TS | MPP-66  | 93,6     | 52.8       | G    | 704      | 6313   | 6313    | 31,4                 |
|    | 1780   | 230/460 | 364T  | MQP-67  | 95       | 139/69.5   | G    | 766      | 6313   | 6313    | 32,5                 |
|    | 1780   | 575     | 364T  | MPP-67  | 95       | 55.6       | G    | 766      | 6313   | 6313    | 32,5                 |
|    | 1190   | 230/460 | 404T  | MQP-68  | 94,5     | 140/70     | G    | 1000     | NU318  | 6314    | 38                   |
|    | 1190   | 575     | 404T  | MPP-68  | 94,5     | 56         | G    | 1000     | NU318  | 6314    | 38                   |
|    | 885    | 230/460 | 405T  | MQP-69  | 92,4     | 160/80     | G    | 1010     | NU318  | 6314    | 38                   |
|    | 885    | 575     | 405T  | MPP-69  | 92,4     | 64         | G    | 1010     | NU318  | 6314    | 38                   |



# PREMIUM DESIGN B NEMA 12-12

CAST IRON CONSTRUCTION RIGID BASE

TEFC TOTALLY ENCLOSED FAN COOLED



| HP   | FL RPM | VOLTS   | FRAME   | CAT NO. | NOM EFF. | F.L. AMPS | CODE    | WT (Lbs) | DE BRG | ODE BRG | "C" Dimension (Inch) |
|------|--------|---------|---------|---------|----------|-----------|---------|----------|--------|---------|----------------------|
| 75   | 3565   | 230/460 | 365TS   | MQP-71  | 93,6     | 166/83    | G       | 766      | 6313   | 6313    | 31,4                 |
|      | 3565   | 575     | 365TS   | MPP-71  | 93,6     | 66.5      | G       | 766      | 6313   | 6313    | 31,4                 |
|      | 1780   | 230/460 | 365T    | MQP-72  | 95,4     | 174/87    | G       | 783      | 6313   | 6313    | 33,5                 |
|      | 1780   | 575     | 365T    | MPP-72  | 95,4     | 70        | G       | 783      | 6313   | 6313    | 33,5                 |
|      | 1190   | 230/460 | 405T    | MQP-73  | 94,5     | 178/89    | G       | 1120     | NU318  | 6314    | 38                   |
|      | 1190   | 575     | 405T    | MPP-73  | 94,5     | 70        | G       | 1120     | NU318  | 6314    | 38                   |
|      | 890    | 460     | 444T    | MQP-74  | 93,6     | 194/97    | G       | 1353     | NU319  | 6318    | 44,3                 |
|      | 890    | 575     | 444T    | MPP-74  | 93,6     | 77.6      | G       | 1353     | NU319  | 6318    | 44,3                 |
|      | 100    | 3570    | 230/460 | 405TS   | MQP-76   | 94,1      | 220/110 | G        | 1040   | 6314    | 6314                 |
| 3570 |        | 575     | 405TS   | MPP-76  | 94,1     | 89        | G       | 1040     | 6314   | 6314    | 35                   |
| 1790 |        | 230/460 | 405T    | MQP-77  | 95,4     | 224/112   | G       | 1058     | NU318  | 6314    | 38                   |
| 1790 |        | 575     | 405T    | MPP-77  | 95,4     | 89.6      | G       | 1058     | NU318  | 6314    | 38                   |
| 1185 |        | 460     | 444T    | MQP-78  | 95       | 122       | G       | 1320     | NU319  | 6318    | 44,3                 |
| 1185 |        | 575     | 444T    | MPP-78  | 95       | 96        | G       | 1320     | NU319  | 6318    | 44,3                 |
| 890  |        | 460     | 445T    | MQP-79  | 93,6     | 252/126   | G       | 1373     | NU319  | 6318    | 44,3                 |
| 890  |        | 575     | 445T    | MPP-79  | 93,6     | 100.8     | G       | 1373     | NU319  | 6318    | 44,3                 |
| 125  |        | 3580    | 460     | 444TS   | MQP-81   | 95        | 140     | G        | 1247   | 6314    | 6314                 |
|      | 3580   | 575     | 444TS   | MPP-81  | 95       | 111       | G       | 1247     | 6314   | 6314    | 40,6                 |
|      | 1785   | 460     | 444T    | MQP-82  | 95,4     | 145       | G       | 1342     | NU319  | 6318    | 44,3                 |
|      | 1785   | 575     | 444T    | MPP-82  | 95,4     | 115       | G       | 1342     | NU319  | 6318    | 44,3                 |
|      | 1185   | 460     | 445T    | MQP-83  | 95       | 147       | G       | 1400     | NU319  | 6318    | 44,3                 |
|      | 1185   | 575     | 445T    | MPP-83  | 95       | 117.6     | G       | 1400     | NU319  | 6318    | 44,3                 |
|      | 890    | 460     | 447T    | MQP-84  | 94,1     | 158       | G       | 1680     | NU319  | 6318    | 47,8                 |
|      | 890    | 575     | 447T    | MPP-84  | 94,1     | 126.4     | G       | 1680     | NU319  | 6318    | 47,8                 |
|      | 150    | 3580    | 460     | 445TS   | MQP-86   | 95        | 166     | G        | 1408   | 6314    | 6314                 |
| 3580 |        | 575     | 445TS   | MPP-86  | 95       | 133       | G       | 1408     | 6314   | 6314    | 40,6                 |
| 1790 |        | 460     | 445T    | MQP-87  | 95,8     | 171       | G       | 1672     | NU319  | 6318    | 47,8                 |
| 1790 |        | 575     | 445T    | MPP-87  | 95,8     | 137       | G       | 1672     | NU319  | 6318    | 47,8                 |
| 1188 |        | 460     | 447T    | MQP-88  | 95,8     | 173       | G       | 1800     | NU319  | 6318    | 47,8                 |
| 1188 |        | 575     | 447T    | MPP-88  | 95,8     | 138       | G       | 1800     | NU319  | 6318    | 47,8                 |
| 890  |        | 460     | 449T    | MQP-89  | 94,1     | 186       | G       | 1800     | NU319  | 6318    | 52,8                 |
| 890  |        | 575     | 449T    | MPP-89  | 94,1     | 148.8     | G       | 1800     | NU319  | 6318    | 52,8                 |
| 200  |        | 3580    | 460     | 447TS   | MQP-96   | 95,4      | 222     | G        | 2185   | 6314    | 6314                 |
|      | 3580   | 575     | 447TS   | MPP-96  | 95,4     | 170       | G       | 2185     | 6314   | 6314    | 44,1                 |
|      | 1790   | 460     | 447T    | MQP-97  | 96,2     | 220       | G       | 2260     | NU319  | 6318    | 47,8                 |
|      | 1790   | 575     | 447T    | MPP-97  | 96,2     | 176       | G       | 2260     | NU319  | 6318    | 47,8                 |
|      | 1188   | 460     | 449T    | MQP-98  | 95,8     | 220       | G       | 3100     | NU319  | 6318    | 52,8                 |
|      | 1188   | 575     | 449T    | MPP-98  | 95,8     | 184       | G       | 3100     | NU319  | 6318    | 52,8                 |
| 250  | 3580   | 460     | 449TS   | MQP-101 | 95,8     | 266       | G       | 2700     | 6314   | 6314    | 49,1                 |
|      | 3580   | 575     | 449TS   | MPP-101 | 95,8     | 212.6     | G       | 2700     | 6314   | 6314    | 49,1                 |
|      | 1790   | 460     | 449T    | MQP-102 | 96,2     | 275       | G       | 3100     | NU319  | 6318    | 52,8                 |
|      | 1790   | 575     | 449T    | MPP-102 | 96,2     | 220       | G       | 3100     | NU319  | 6318    | 52,8                 |
| 300  | 3580   | 460     | 449TS   | MQP-106 | 95,8     | 320       | G       | 2900     | 6314   | 6314    | 49,1                 |
|      | 3580   | 575     | 449TS   | MPP-106 | 95,8     | 256       | G       | 2900     | 6314   | 6314    | 49,1                 |
|      | 1790   | 460     | 449T    | MQP-107 | 96,2     | 330       | G       | 3220     | NU319  | 6318    | 52,8                 |
|      | 1790   | 575     | 449T    | MPP-107 | 96,2     | 264       | G       | 3220     | NU319  | 6318    | 52,8                 |

For more information, visit us at [MEP.CA](http://MEP.CA)

Updated July 2019

